

NC-PHRF RATING REQUEST FORM

VALID THRU

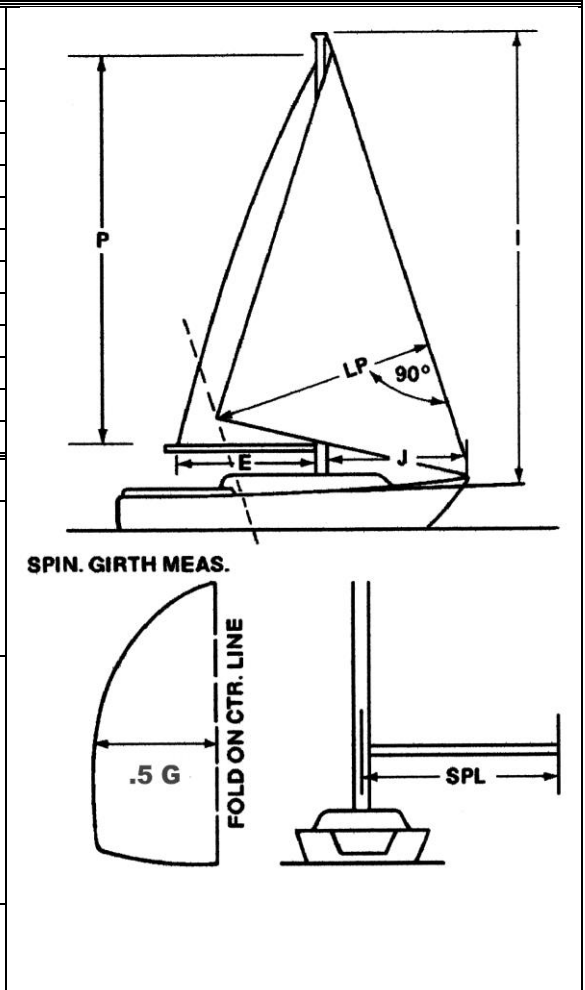


Fee: 1 year \$15.00 3 years \$40.00

Mail completed form and check payable to NC-PHRF Club representative*

Sail #	Yacht Make	Year	Sail Plan	Club	For Handicapper's Use only	
					Rating Adjustments	Standard or Base Rating:
Yacht Model		Yacht Name		Designer	Largest jib	%LP
Master or Owner (Last Name, First Name)					Spinnaker or pole	
Street Address					Mast	
City		State	Zip	Prop		
Home phone		Alt. phone		Miscellaneous		
Email					Racing Rating:	
I understand that it is my responsibility to notify the handicapper of changes to this yacht—which affect measurement points, handicap adjustments, or would alter her from a standard boat.					Handicapper's Comments	
Signature of Master or Owner				Date	Signature of Handicapper	Date

MEASUREMENTS (defined on www.ncphrf.com)			
I		G	
J		LOA	
P		LWL	
E		Beam	
ISP		Draft	
SML		Displacement (lbs)	
LP		Ballast (lbs)	
SPL		Keel Material	
SL			
Mainsail Girth **			
7/8 Leech		1/2 Leech	
3/4 Leech		1/4 Leech	
VARIABLES			
ENGINE	PROP INSTALL	PROP TYPE	
Inboard <input type="checkbox"/>	In aperture <input type="checkbox"/>	Folding <input type="checkbox"/>	
Outboard <input type="checkbox"/>	Exposed shaft <input type="checkbox"/>	Feathering <input type="checkbox"/>	
None <input type="checkbox"/>	Sail Drive <input type="checkbox"/>	Solid 2-BL <input type="checkbox"/>	
		Solid 3-BL <input type="checkbox"/>	
RUDDER	KEEL	RIG	
Attached <input type="checkbox"/>	Fin <input type="checkbox"/>	Masthead <input type="checkbox"/>	
Skeg <input type="checkbox"/>	Full <input type="checkbox"/>	Fractional <input type="checkbox"/>	
Spade <input type="checkbox"/>	Wing <input type="checkbox"/>	Other <input type="checkbox"/>	
MAST	Ctr Board <input type="checkbox"/>	Roller furl above deck for all headsails? Yes <input type="checkbox"/>	
Standard <input type="checkbox"/>	Drop <input type="checkbox"/>	No <input type="checkbox"/>	
Tall Rig <input type="checkbox"/>	Other <input type="checkbox"/>		
Other <input type="checkbox"/>			
MODIFICATIONS			
Class Boat-ODR <input type="checkbox"/>		Class Boat-PHRF <input type="checkbox"/>	
Modified Class <input type="checkbox"/>		Custom <input type="checkbox"/>	



* Closest NC-PHRF officer—to be found on www.ncphrf.com

** Required for large roach mainsails