

NC-PHRF RATING REQUEST FORM

VALID THRU



Fee: 1 year \$15.00
 3 years \$40.00 (Please circle amount paid)

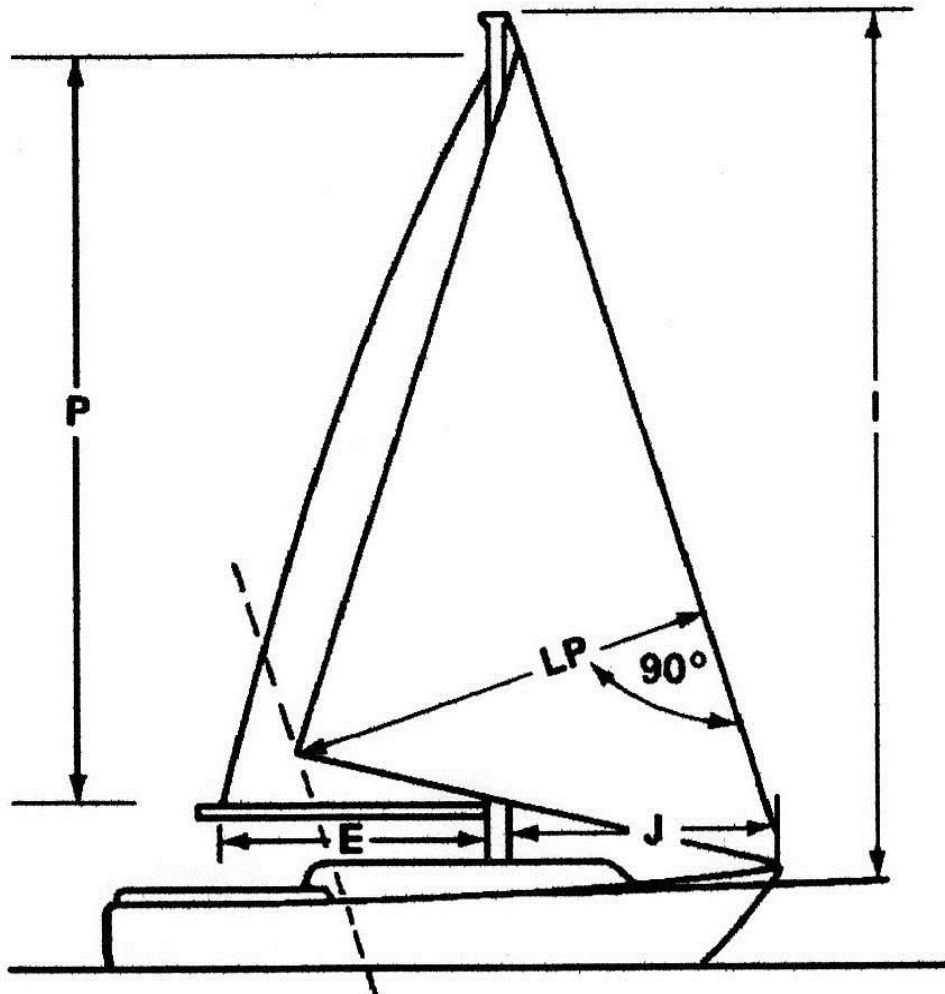
Please **PRINT** when completing the form.

Mail the form and a check payable to a NC-PHRF Club representative*

Sail #	Yacht Make	Yacht Model	Year	Club			
Yacht Name		Designer					
Master or Owner (Last Name, First Name)							
Street Address							
City		State	Zip				
Home phone		Alt. phone	Email				
MEASUREMENTS (defined on www.ncphrf.com or see on diagram)				For Handicapper's Use only			
I	G	Standard or Base Rating:		Rating Adjustments			
J	LOA						
P	LWL	Largest jib	%LP				
E	Beam						
ISP	Draft	Spinnaker or pole					
SML	Displacement (lbs)						
LP	Ballast (lbs)	Mast					
SPL	Keel Material	Miscellaneous					
SL		Prop					
Mainsail Girth **							
7/8 Leech	1/2 Leech	Racing Rating:					
3/4 Leech	1/4 Leech						
VARIABLES				Handicappers Comments:			
ENGINE		PROP INSTALL		PROP TYPE			
Inboard	<input type="checkbox"/>	In aperture	<input type="checkbox"/>	Folding	<input type="checkbox"/>		
Outboard	<input type="checkbox"/>	Exposed shaft	<input type="checkbox"/>	Feathering	<input type="checkbox"/>		
None	<input type="checkbox"/>	Sail Drive	<input type="checkbox"/>	Solid 2-BL	<input type="checkbox"/>		
				Solid 3-BL	<input type="checkbox"/>		
RUDDER		KEEL		RIG			
Attached	<input type="checkbox"/>	Fin	<input type="checkbox"/>	Masthead	<input type="checkbox"/>		
Skeg	<input type="checkbox"/>	Full	<input type="checkbox"/>	Fractional	<input type="checkbox"/>		
Spade	<input type="checkbox"/>	Wing	<input type="checkbox"/>	Other	<input type="checkbox"/>		
MAST		Ctr Board		Roller furl above deck for all headsails? Yes <input type="checkbox"/>			
Standard	<input type="checkbox"/>	Drop				No <input type="checkbox"/>	
Tall Rig	<input type="checkbox"/>	Other					
Other	<input type="checkbox"/>						
MODIFICATIONS				SAIL PLAN			
Class Boat-ODR	<input type="checkbox"/>	Class Boat-PHR	<input type="checkbox"/>	Sloop	<input type="checkbox"/>		
Modified Class	<input type="checkbox"/>	Custom	<input type="checkbox"/>	Ketch	<input type="checkbox"/>		
				Yawl		<input type="checkbox"/>	
				Signature of Master or Owner & Date:			

* Closest NC-PHRF officer—to be found on www.ncphrf.com

** Required for large roach mainsails



SPIN. GIRTH MEAS.

